

 **BALL-SCREW PRESS BRAKE**
Compact Bending Solutions with High Efficiency

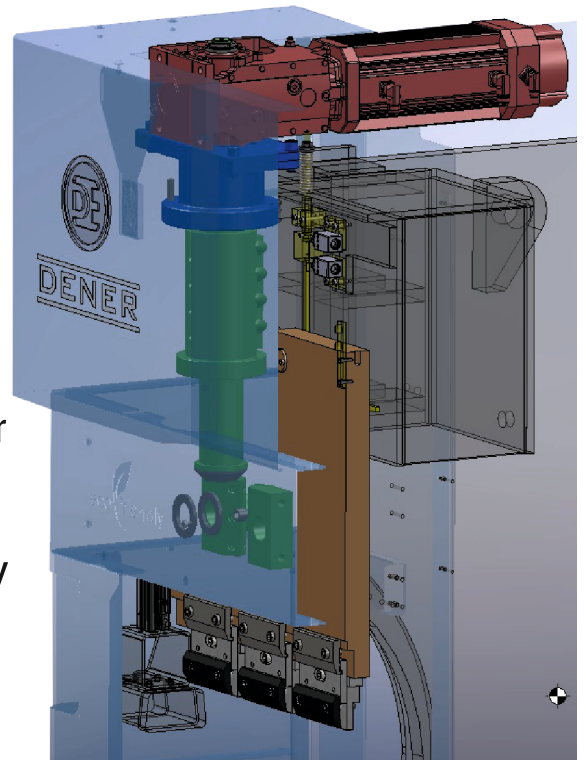


* Machine with optional equipment



BALL-SCREW PRESS BRAKE

Single / Dual Lenze drive technology



Energy saving up to 50%



High speed bending produces more parts per hour



Low maintenance cost



High accuracy positioning and repeatability



Light and compact design

Control Unit

ESA S 630 Control Unit

- 10" color touch screen
- Automatic bend sequence
- Easy programmable 2D graphic display.
- Up to 4 axes (Y1,Y2, X and R)
- Multiple language options
- 2D Simulation
- Remote access

ESA 675 W 3D Control Unit (Optional)



Work Table (Optional)

Foldable and height adjustable ergonomic working table makes bending easier and comfortable.



Clamping & Tools

Euro Type punch and die clamping systems.

Wila mechanical and hydraulic clamping system (Optional)

Euro punch holder with high precision double wedge adjustment.(Optional)

Punch and die is optional.





DDS 4013



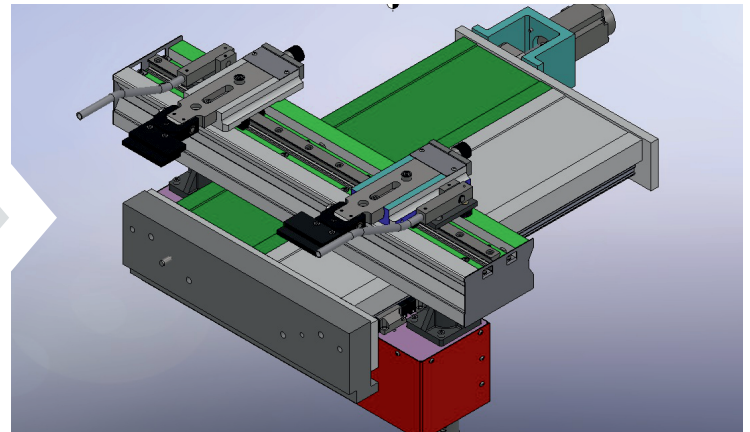
DDS 2090



DDS 2060

Back Gauge

- 2 axis back gauge handles complex parts with ease. (5 axis optional - Z1, Z2 and X-Prime with ESA675 controller)
- High speed movement combined with high accuracy drives ensures the back gauge is positioned quickly and precisely every time for the operator.



Safety System

Front laser finger protection system with safety DSP AP (Optional).

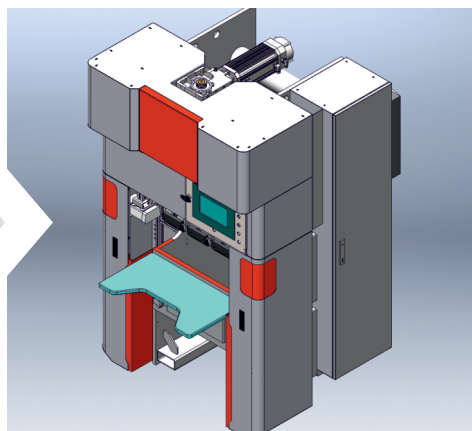


Other Advantages

- Electrical cabinet cooler
- Easier box bending with larger open height
- Quick installation and transportation

Body Frame

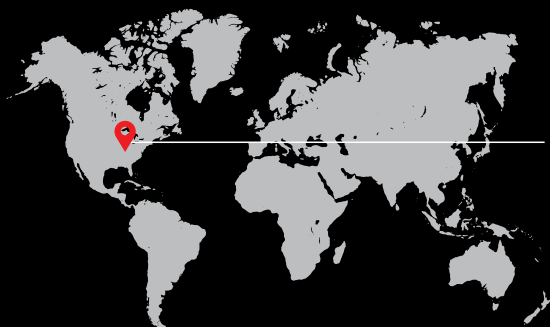
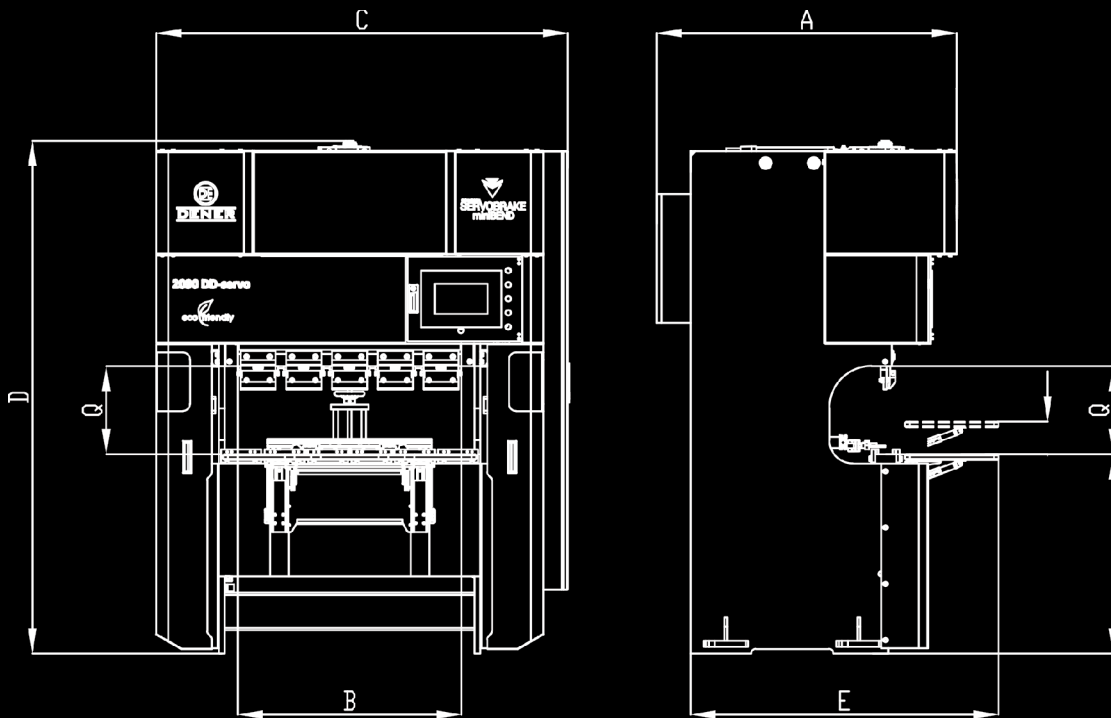
Solid mono-block body with small C frame gap provides high precision bends.



NO | HYDRAULIC OIL CYLINDERS

Technical Data

	DDS 4013	DDS 2090	DDS 2060
Bending Length (B) (inch)	51.18	35.43	23.60
Bending Capacity (ton)	44	22	22
Daylight (Q) (inch)	14.76	14.76	14.76
Maximum Stroke (inch)	5.9	5.9	5.9
Y Axis (Approaching/Bending/Return) Velocity (inch/min)	354/46.8/354	354/46.8/354	354/46.8/354
Motor Power (kW)	2x3,8	3,8	3,8
Lenght (A) (inch)	74	50.39	50
Width (C) (inch)	95.86	69.29	55.50
Height (D) (inch)	91.33	86.22	86.20
Weight (Appr.) (lb)	7495	4410	3800



10 North Martingale Road
Suite 400 Schaumburg
IL 60173 / US



☎ (+1) 847 466 10 94

✉ info@denerusa.com

🌐 www.denerusa.com